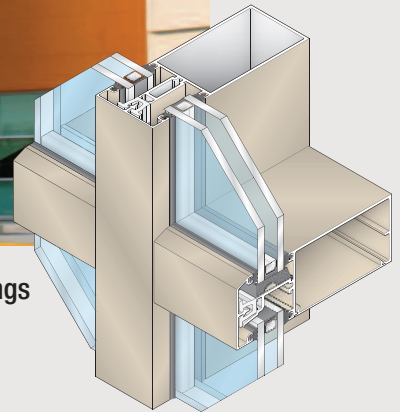


# CURTAIN WALL SYSTEMS

## SERIES 4500 AND 4500SG

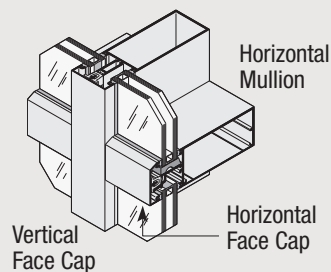
### NEXT-GENERATION WATER MANAGEMENT SYSTEM

U.S. Patent No. 5,839,236  
UK Patent No. 9802018.3;  
Canada Patent No. 2,228,181



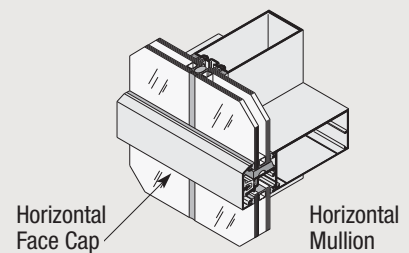
- 1" (25 mm) Glazing System for Low to Mid-Rise Buildings
- Thermally Broken
- Pocket Reducer Available for 1/4" (6 mm) Glazing
- Exterior Glazed
- Pressure Bar-Free Design Saves Labor and Material Costs

#### Captured Glazed Vertical Mullion



**SERIES 4500**  
Captured Vertical Glazed Curtain Wall

#### Structural Glazed Vertical Mullion



**SERIES 4500SG**  
Structural Silicone Glazed Vertical Curtain Wall



**U.S. ALUMINUM**

usalum.com • crlaurence.com  
crl-arch.com

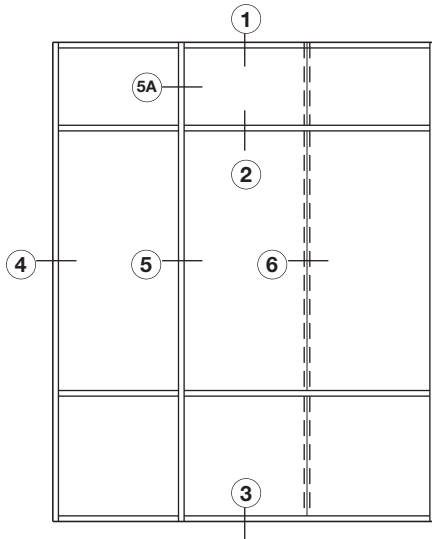
The Series 4500 and 4500SG Curtain Walls feature pressure relieved horizontals with a unique, integral UNiflash™ System to literally sweep infiltrated water to the exterior. UNiflash™ eliminates the secondary operation of installing rigid vinyl internal flashing in horizontals as required by similar systems. Exterior and interior members are internally joined with a non-conductive injection molded thermoplastic connectors providing total thermal isolation which yields superior thermal performance. Two-tone colors can be achieved by specifying different finishes for exterior face members and interior mullions. The system features either shear block or panel type assembly with no exposed joint fasteners.

Series 4500SG is offered in stick or panel erected systems combining the horizontal members of Series 4500 with structural silicone glazed vertical mullions. The two-sided silicone system creates the appearance of a glass wall with horizontal feature strips.

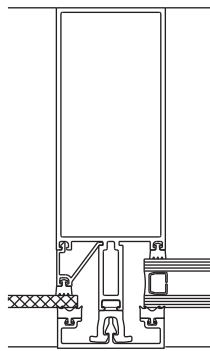
# SERIES 4500 CURTAIN WALL SYSTEM

## TYPICAL DETAILS

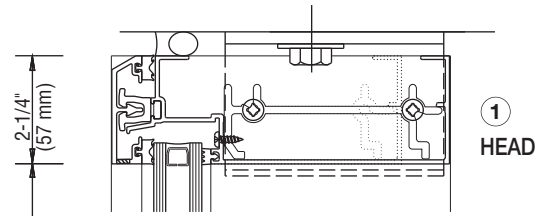
For Specifications, Details, and Testing Data go to [usalum.com](http://usalum.com).



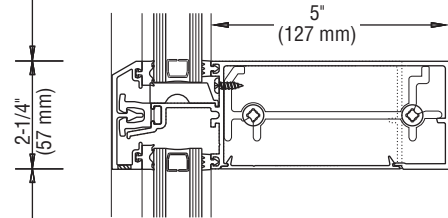
TYPICAL ELEVATION



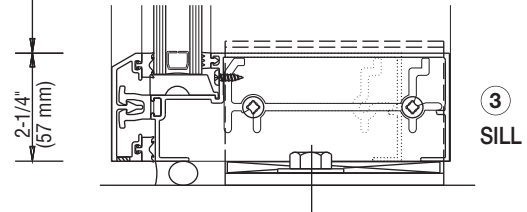
VERTICAL WITH 1/4" (6 mm) POCKET REDUCER



1 HEAD

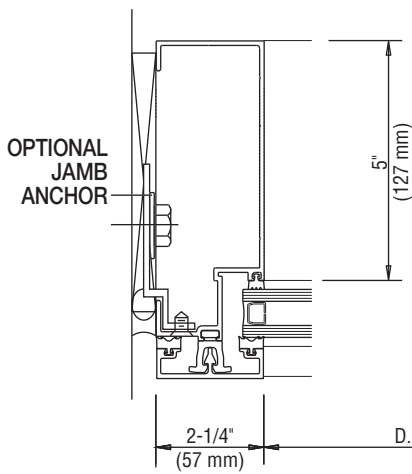


2 HORIZONTAL

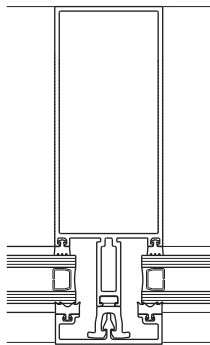


3 SILL

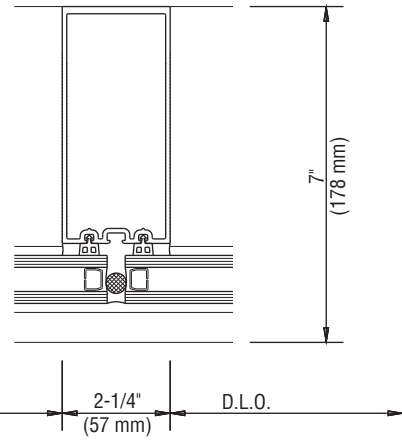
**NOTE:**  
4" and 8" (102 and 203 mm) back members are also available.



4 JAMB



5 VERTICAL



6 BUTT GLAZED VERTICAL

NOT TO SCALE